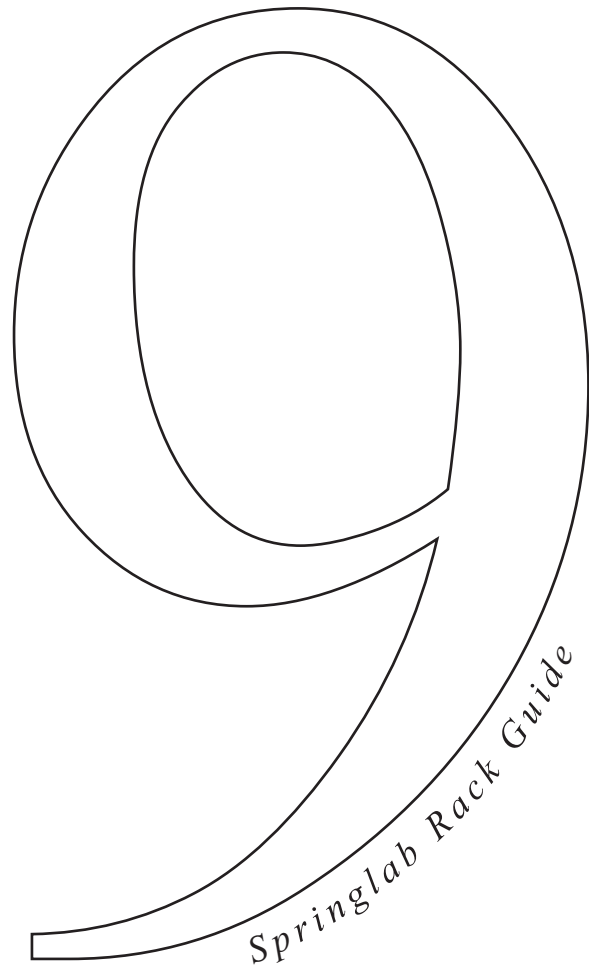


S p r i n g l a b



Quality Laboratory Racks
help you get *Organized*

www.springlab.co.uk
contact@springlab.co.uk





How to place your order

To order a laboratory rack, you need to know 4 things.

1. The diameter of the test tube in millimetres.
2. How many rows of holes you want.
3. The type of rack you want.
4. How many holes per row you want.

Then simply combine these to make up your order
e.g.

13.5 / 3 / A / 6

Tube Diameter (in mm) No of Rows Type of Rack Holes per row

Remember to make allowances for any labels when measuring the diameter of the tube.

When choosing a rack type, use the full scale drawings on the next pages as your guide.

Also Available

Slot racks for holding all types of machine cartridges

Up to a maximum of 20 slots may be requested in any one rack, each slot customised to hold one of your machine cartridges.

Price - £ 5.00 per slot

11mm slot for holding laboratory request forms

This may be requested as an extra on any rack.

Recommended on Springlab type D, G, J, K and H racks only.

Price - £5.00 per rack.

Racks to hold racks

Springlab also manufacture sturdy custom made aluminium or steel frames to hold your racks.

These racks are suitable for:

Storage trolley for specimen reception, laboratory and coldroom transfer, lift out chest freezer storage, front loading refrigerator storage and floor or bench standing storage.

Once you have put your order number together, simply send your order to us.

For a full and up to date price list either go to our website (www.springlab.co.uk) and request one on the contact page, or write to us at the address below.

Springlab Limited
Unit 2 Whitting Valley Road
Chesterfield
S41 9EY

+44 (0)1246 455 399

+44 (0)1246 452 397

To receive a quotation please send a rough drawing of your requirements with as much information as possible, including the following:

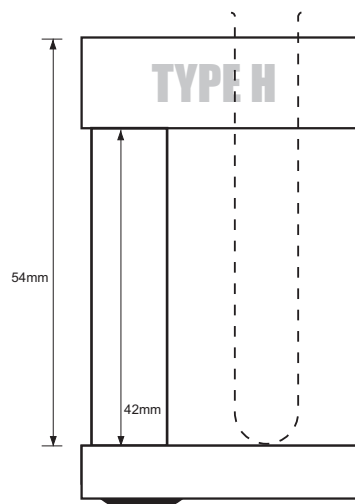
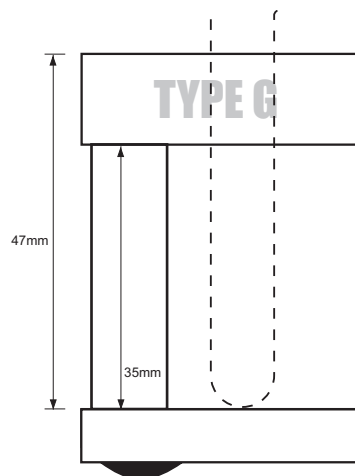
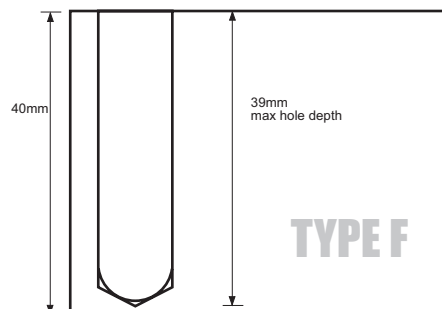
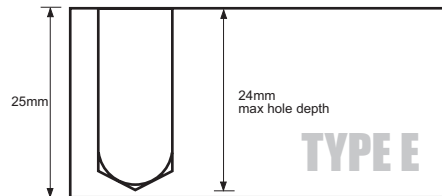
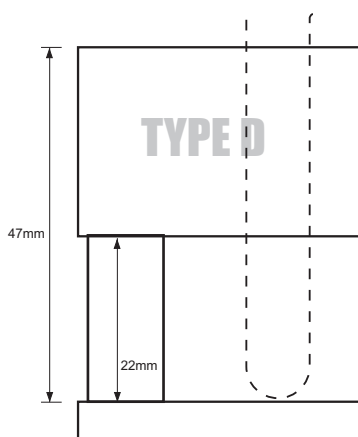
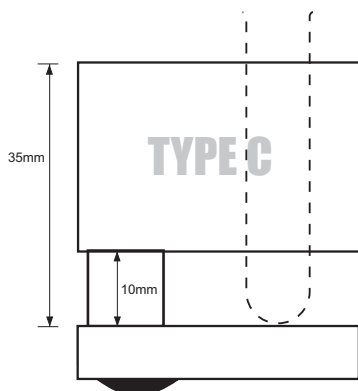
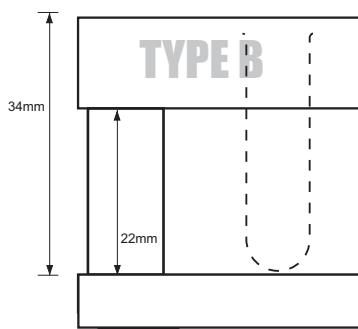
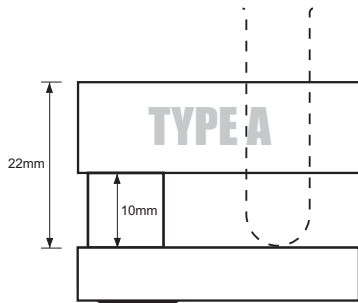
- 1. The number of racks you wish to put in the frame.**
- 2. The size, number and type of tubes (or send a sample)**
- 3. The size of the space available in the coldroom, refrigerator freezer or on the bench**

When measuring the freezer or refrigerator, please take care to allow for rounded corners, uneven surfaces and projections.

Springlab Limited will be pleased to confirm the maximum number of racks and the number of tubes that can be stored within the space available, and will send you a quotation with an order number and a price.



Rack Types





Rack Types

